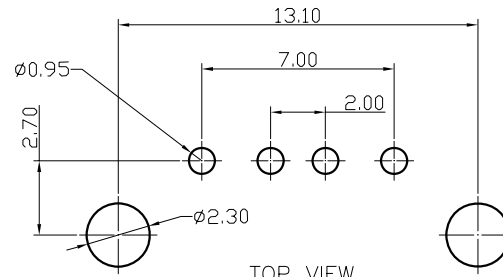
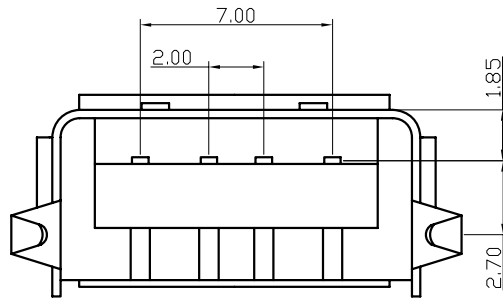


## SPECIFICATIONS

- Current Rating: 1 Amps
- Insulator Resistance: 1000 Megohms min.
- Contact Resistance: 30 m ohms max.
- Dielectric withstanding: AC 500V
- Operating Temperature: -55°C~+105°C
- Contact Material: Copper Alloy
- Shell Material: Copper Alloy
- Insulator Material: Thermoplastic, UL 94V-0
- ◎Standard: P.B.T.
- Finish: Gold Plated on contact area  
Tin Plated on solder area
- Mating Force: 4.0 KG Max 4kg.
- Unmating Force: 0.7 KG Max 7kg.

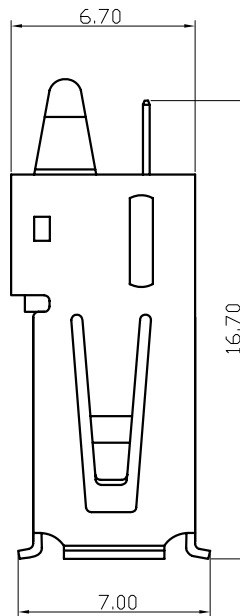
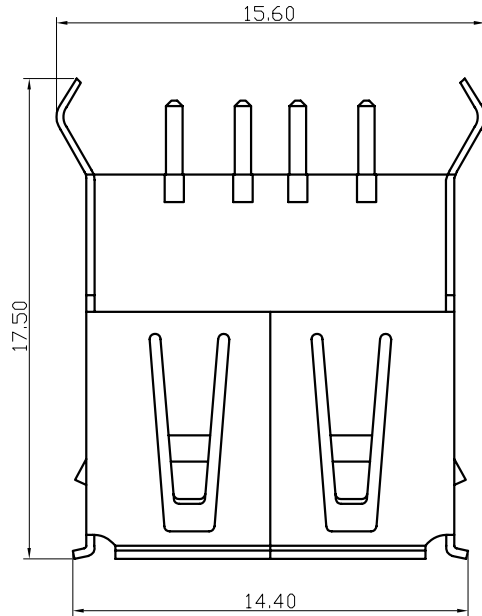
BPOA-105-4-XXX-X-G  
 G: RoHS Compliant  
 Color: A=Black  
 D=White

Contact Plating	
Definition	Code
Gold Flash	V02
15μ" Gold	V55
30μ" Gold	V58
◎Standard: V58	



TOP VIEW

PCB LAYOUT RECOMMENDED



APTOS Technology CONFIDENTIAL  
 This document, and all information it contains, are the confidential, proprietary property of APTOS Technology. Disclosure, duplication or distribution of this document, or any information it contains, in whole or part, without prior written permission from APTOS Technology is strictly prohibited

GENERAL TOLERANCE UNLESS OTHERWISE SPECIFIED	
XX. ± X	.XXX ± 0.13
X. ± X	X.* ± (REF)5'
.X ± 0.38	.X' ± 2'
.XX ± 0.25	.XX' ± 1'
REV. 03	DRAWN
DATE 6/17/03	CHECKED
SCALE	APPROVED
UNIT mm	SIZE A4

**AP** APTOS TECHNOLOGY

BPOA Series  
 Type A USB - 180° Vertical Mount  
 PRODUCT NO. BPOA-105-4-XX-X-\*  
 FILE NAME: BPOA 105 (180) LF APD.DWG